

# **OPERATING MANUAL**



**BERLINGOTIERE**

**MODEL JASSARANIS®**

**Version Eco  
Version Pro**

## Table of Contents

1.	Document Use :.....	2
2.	Contents :.....	2
3.	Detailed report of the Berlingotière JASSARANIS :.....	3
4.	Assembly of the Berlingotière :.....	4
5.	How to use the Berlingotière :.....	5
6.	Cleaning of the machine : .....	6
7.	Recommandations : .....	7
I.	Customer Service	
II.	Talk about us	

The **Berlingotière JASSARANIS** is entirely made in our factory located in Roche la Molière, France.



## 1. Document Use :

We thank you for buying an OMG Berlingotière. Reading this document will allow you to find all necessary information for good use of your machine as well as recommendation and cleaning instructions. Here is a list of symbols that you will encounter through this document:



Point the procedure to follow in order to avoid getting hurt or prevent minor injury.

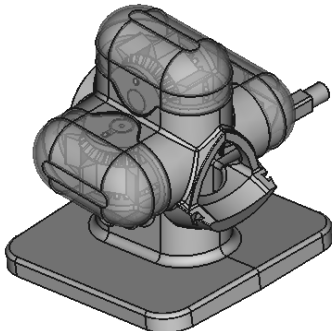

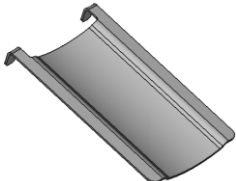
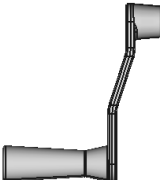



States how to react to cope with a situation that might arise.

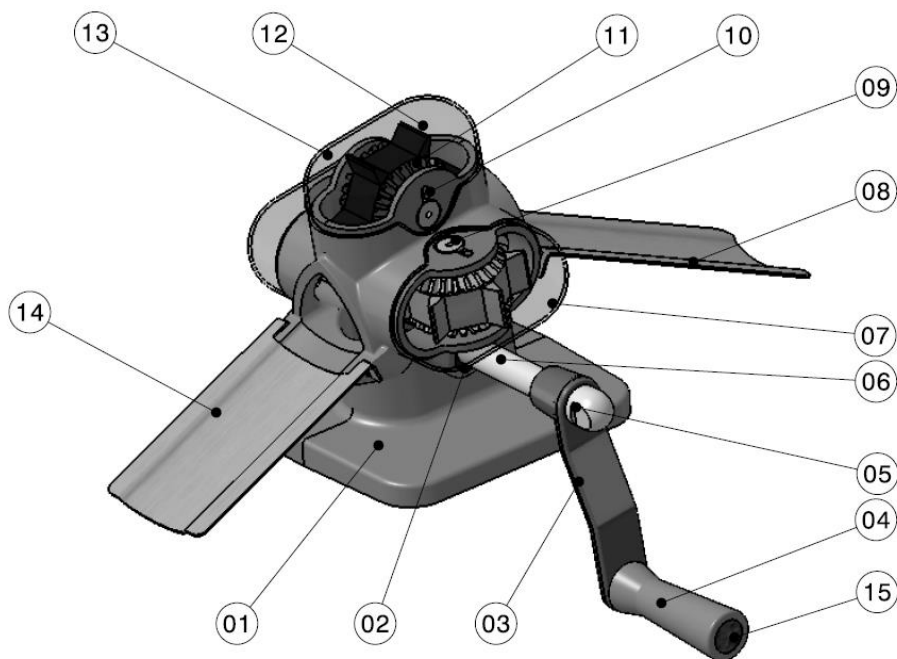


Point the procedure to follow in order to prevent any problem or damages which could be done on the machine.

## 2. Contents :

	X 1		X 1
	X 1		X 1
	X 1		

### 3. Detailed report of the Berlingotière JASSARANIS :



01	Body (Aluminium)	09	Gear's axis (Stainless steel)
02	Bearing (Plastic)	10	Gear's axis (Stainless steel)
03	Arm (Aluminium)	11	Gear (Stainless steel or plastic - version)
04	Handle's socket (Plastic)	12	Star shaped knife (Stainless steel)
05	Screw (Stainless steel)	13	Top safety cover (Plastic)
06	Driving axis (Stainless steel)	14	Exit ramp (Stainless steel)
07	Safety cover (Plastic)	15	Handle's heart (Stainless steel)
08	Entry ramp (Stainless steel)		

Dimensions

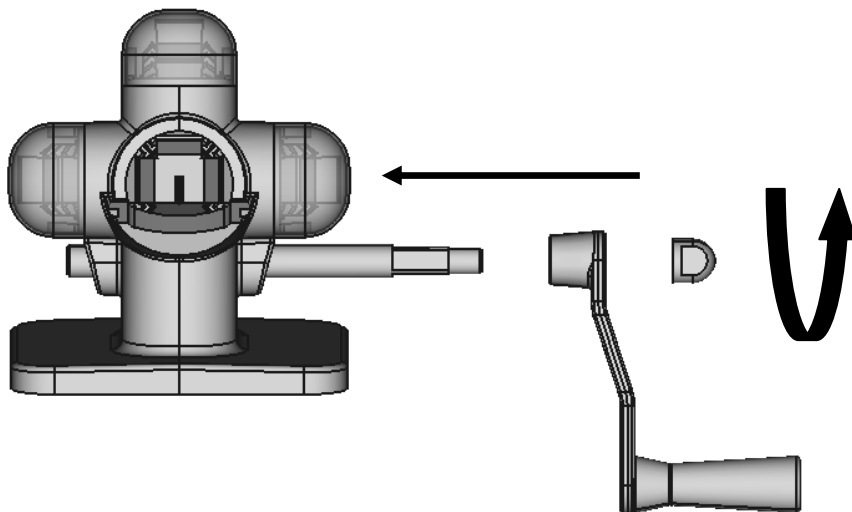
(Space required) : 400mm x 230mm x 200mm (L x l x h)

Gross weight : 5kg

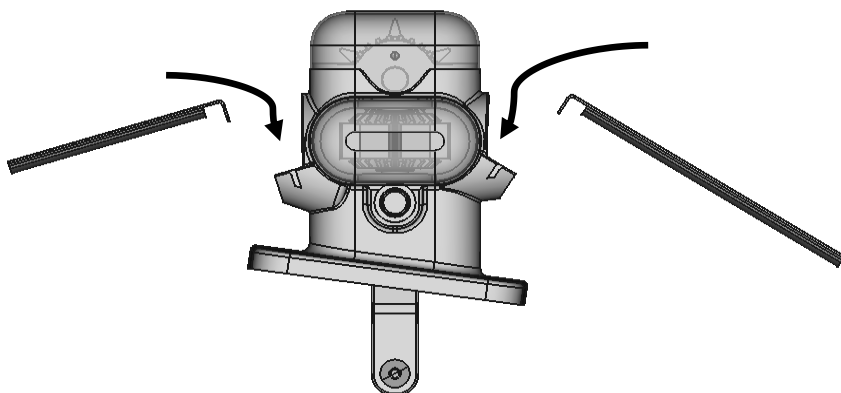
The Berlingotière allow forming and pre-cutting boiled candies known as berlingots de Carpentras. The weight of each berlingots is around 4g.

The « Pro » version is suggested for a greater production going to 30kg a day

#### 4. Assembly of the Berlingotière :



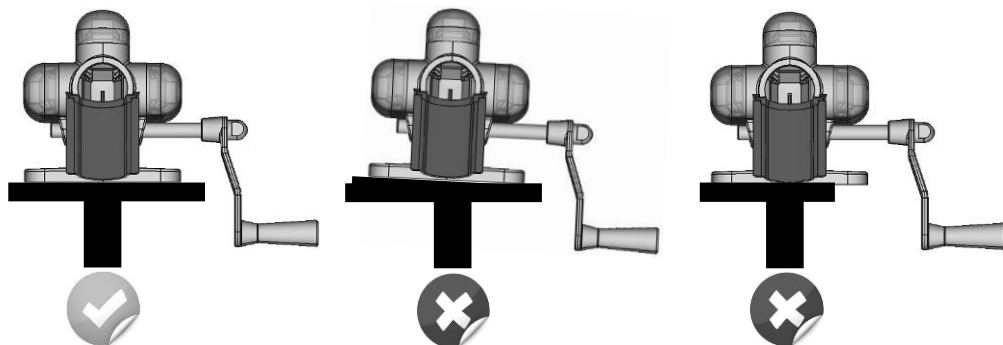
Insert the handle in the axis and screw the clamping screw to block it.



Insert the ramps into the slots, the big one for the entry, the small one for the output.

## 5. How to use the Berlingotière :

### a. *Installation :*



Place the berlingotière at the edge of a table or working plan. The surface on which the machine is placed must be flat. You have to clamp the machine on the table.



The handle must be outside the table in order to provide freedom of movement when rotating and prevent minor hand injuries.

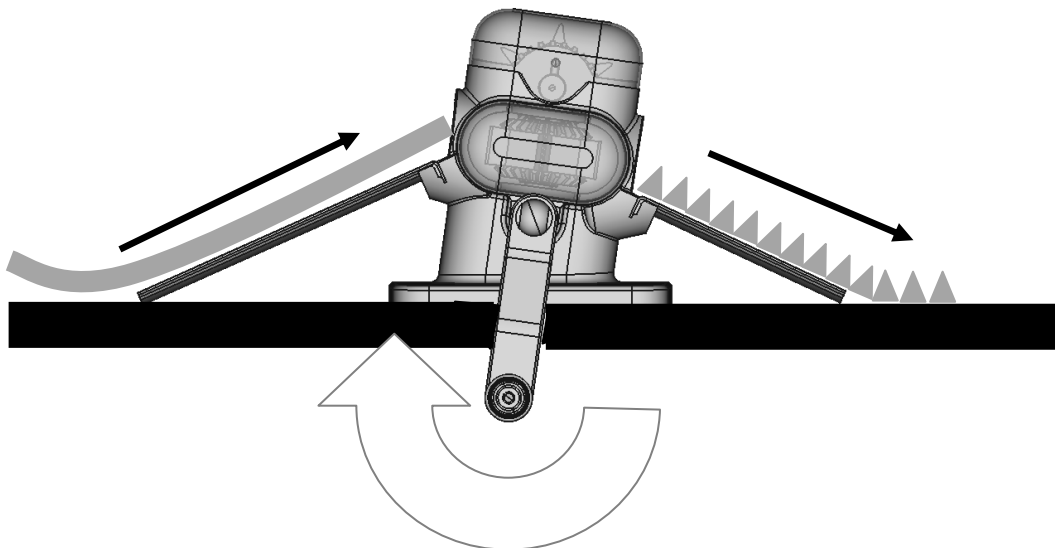


The machine must be placed on something stable and flat to prevent all risks of fall.  
Prepare enough space in front of entry and exit of the machine for sugar and berlingots.

### b. *Berlingots' moulding :*

Introduce the sugar sausage into entry of the berlingotière (on the big ramp size / rounded side of the body of the machine) and spin the handle clockwise.

This will drive the sugar sausage into the mechanism and will shape it into a garland of berlingots. Once cold, a single choc of the garland will enable you to separate berlingots.



Do not introduce (fingers or any object) into the machine's mechanism

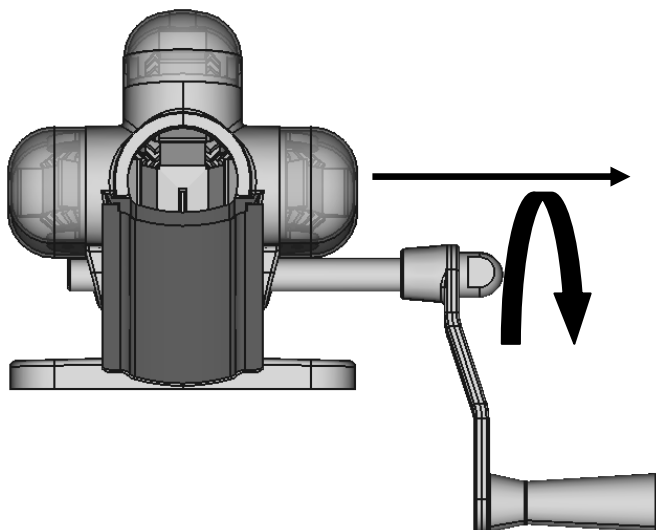


It is advised to use the machine with hair tied back.

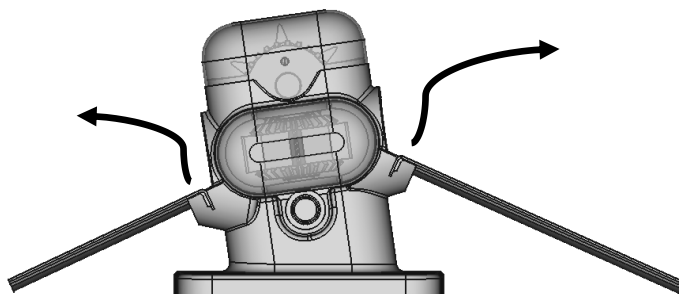
Do not move the machine during operation.

We recommend fixing the machine on a working plan.

## 6. Cleaning of the machine :



Unscrew the clamping screw and remove the handle and ramps.



Then, plunge the machine in hot water (40 degrees to 50 degrees) for 15 minutes or so.



**Do not use detergent product, the cleaning only requires hot water.**

Remove the berlingotière from the water and leave it to dry. To dewater faster, you can operate the mechanism. Put back the ramps and the handle to use the machine again.

## 7. Recommandations :

The Berlingotière must be used by qualified and adult staff.

Do not use oil to lubricate the machine.

Do not remove safety covers.

The mechanism of the berlingotière must not be dismantled under any circumstances. OMG will disclaim all responsibilities in case of injury or malfunction of the machine if the berlingotière is dismantled then reassembled.





**I. Customer Service :**

In case of problem or for any additional information concerning the machine, please feel free to contact the company:



**Société O. M. G.  
Zone Industrielle du Buisson  
13, Rue de la Poudrière  
42230 Roche-la-Molière  
FRANCE**



**(00 33) 9 83 23 23 74**



**contact@omg-france.fr**



**www.omg-france.fr**

## II. **Talk about us :**

In order to promote the Berlingotière JASSARANIS and put forward the work of our clients, we would like to illustrate our website and our Facebook page (<https://www.facebook.com/Jassaranis-548371188655366/>) with photos or videos of our machine at work.

If you would like to participate on this project, please feel free to send us your best photos or videos. Your impression about our machine is just as important, do not hesitate to tell us what you think about it. With your consent, we would be delighted to publish and share your contents (Postal address/ phone number / Mail / Website).

So don't wait any longer and get some of that...

# **BERLINGOT'ATTITUDE**

Talk about us !

Please contact us at [qualite@omg-france.fr](mailto:qualite@omg-france.fr) for any further information on this project.



Outillage Mécanique Générale  
Société O. M. G.  
Zone Industrielle du Buisson  
13, Rue de la Poudrière  
42230 Roche-la-Molière  
FRANCE



(00 33) 9 83 23 23 74



contact@omg-france.fr



www.omg-france.fr

The berlingotière comes with a 1 year (one year) guarantee, parts and workforce except for breaking of security covers or handle or distortion of both ramps.

Buyer's details

First name : \_\_\_\_\_

Last name : \_\_\_\_\_

Company : \_\_\_\_\_

Adress : \_\_\_\_\_

\_\_\_\_\_

CP : \_\_\_\_\_ Town : \_\_\_\_\_

This coupon acts as a guarantee. For any reparation of the machine during the whole period of guarantee, you will have to send this document to our office.

No action will be covered by the company OMG without presentation of this coupon. The guarantee will be canceled if the dismantling of the machine is proven by OMG.

Lot n°/ Batch n° :

Date of dispatch :

Company's stamp :

End of Guarantee :

Signature :

